

EU-DEEP

Integrated Project
SES6-CT-2003-503516
EU-FP6 – Sustainable Energy Systems

www.eu-deep.com

The birth of a **EU**ropean **D**istributed **En**ergy **P**artnership
that will help the large-scale implementation of distributed energy resources in Europe



A European Project supported within the Sixth Framework Programme for Research and Technological Development





Objective

EU-DEEP

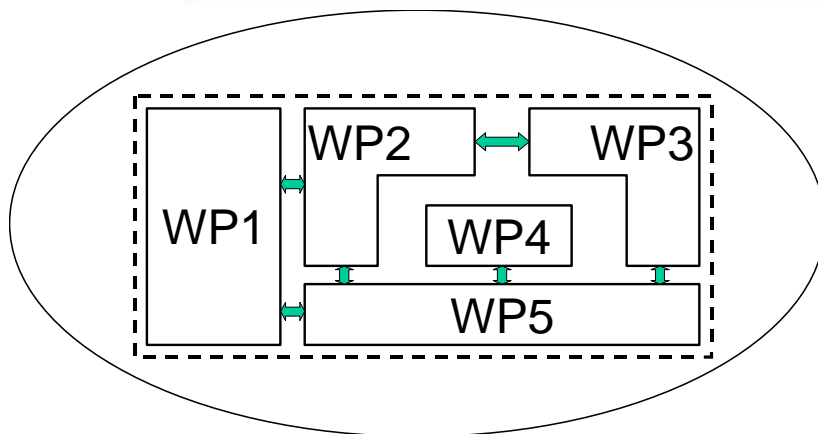
Design, develop and validate an innovative approach to identify promising **business models**^(*) based on market requirements, which will **amplify**, from 2010, the **large scale penetration of DER in Europe**.

(*) Business model = market + technology + actors + financing

Impacts

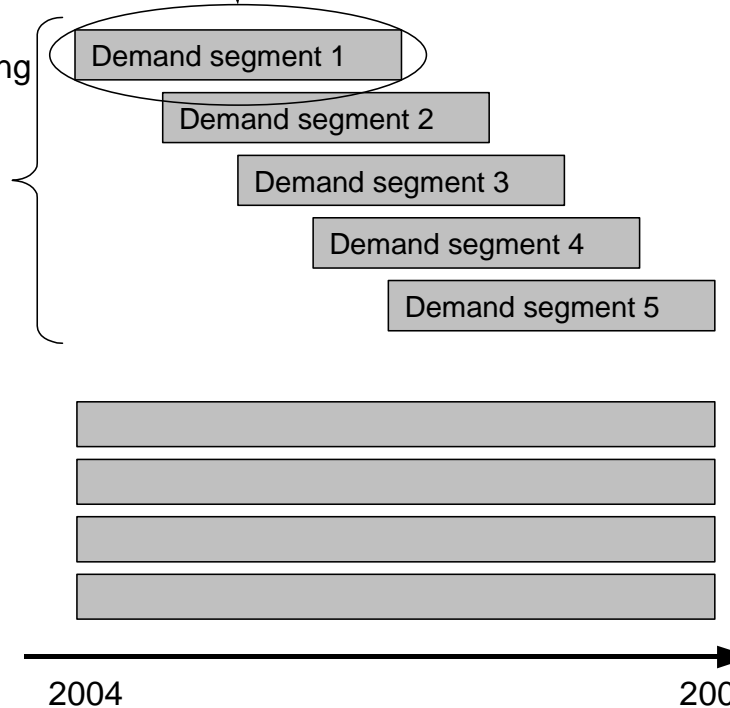
- ✓ **FIVE fast-tracks** options to DER, described by **FIVE coherent business models** (energy market demand + DER technologies + financial means + organisation of actors);
- ✓ **Improved DER equipments** (generators, grid connection, storage and communication) for these FIVE studied fast-track options;
- ✓ **Equipment specifications** to connect DER to existing grids that will enable **Local trading strategy** approaches validated for the FIVE fast-track options;
- ✓ **Improved software** to simulate the electrical grid system with large DER penetration;
- ✓ In depth understanding of the effect of **large penetration of DER** on the **performances** of the electrical grid system and on the electricity market;
- ✓ **Market rules recommendations** to regulators and national agencies that will support the FIVE studied fast-track options;
- ✓ A comprehensive **training and dissemination package** targeting all stakeholders of DER in Europe (special emphasis on the FIVE studied fast-track options);
- ✓ A **European Competence Group** led by the utilities, which will **create further fast-track options, beyond the end of the project**, using the methodology designed, developed and validated during the project.

Implementation

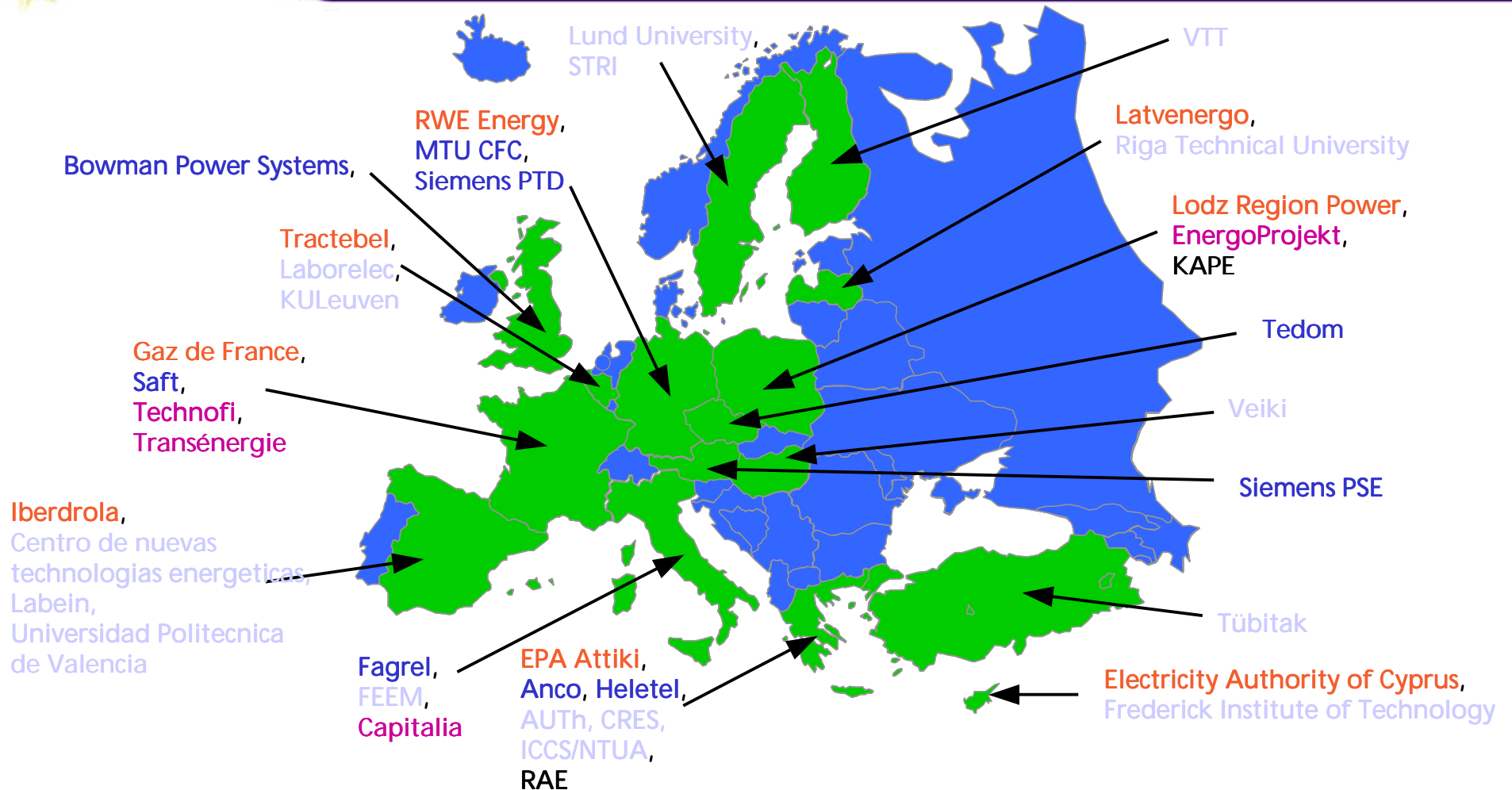


WP1: Demand description and modelling
WP2: Grid and market integration
WP3: Local Trading Strategies
WP4: Technology R&D
WP5: Technology validation

WP6: Training
WP7: Dissemination
WP8: European Competence Group
WP9: Project Management



Participants



Coordinator

Etienne GEHAIN / Head of Distributed Energy Ressources R&D

GAZ DE FRANCE Research & Development Division

Tel: +33 1 49 22 59 65 / Fax: +33 1 49 22 52 42 / e-mail: etienne.gehain@gazdefrance.com



Resources

| | (M€) |
|--|-------------|
| WP1: Demand description and modelling | 4,5 |
| WP2: Grid and market integration | 5,9 |
| WP3: Local Trading Strategies | 2,9 |
| WP4: Technology R&D | 7,3 |
| WP5: Technology validation | 2,6 |
| WP6: Training | 1,2 |
| WP7: Dissemination | 0,4 |
| WP8: Construction of the European Competence Group | 3,1 |
| WP9: Project Management | 1,0 |
| Total | 28,9 |

The overall European Commission funding is 15 M€